



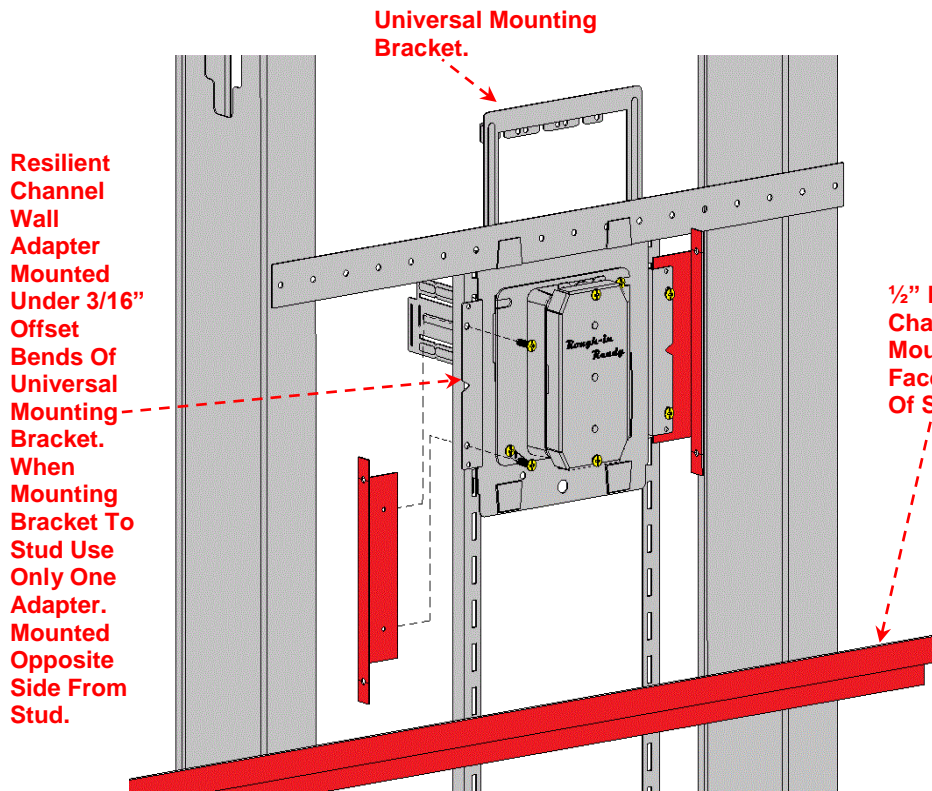
1/2" Resilient Channel Wall Adapter – Installation Notes For Mounting Adapter Bracket.

1-800-286-9601 @ www.roughinready.com

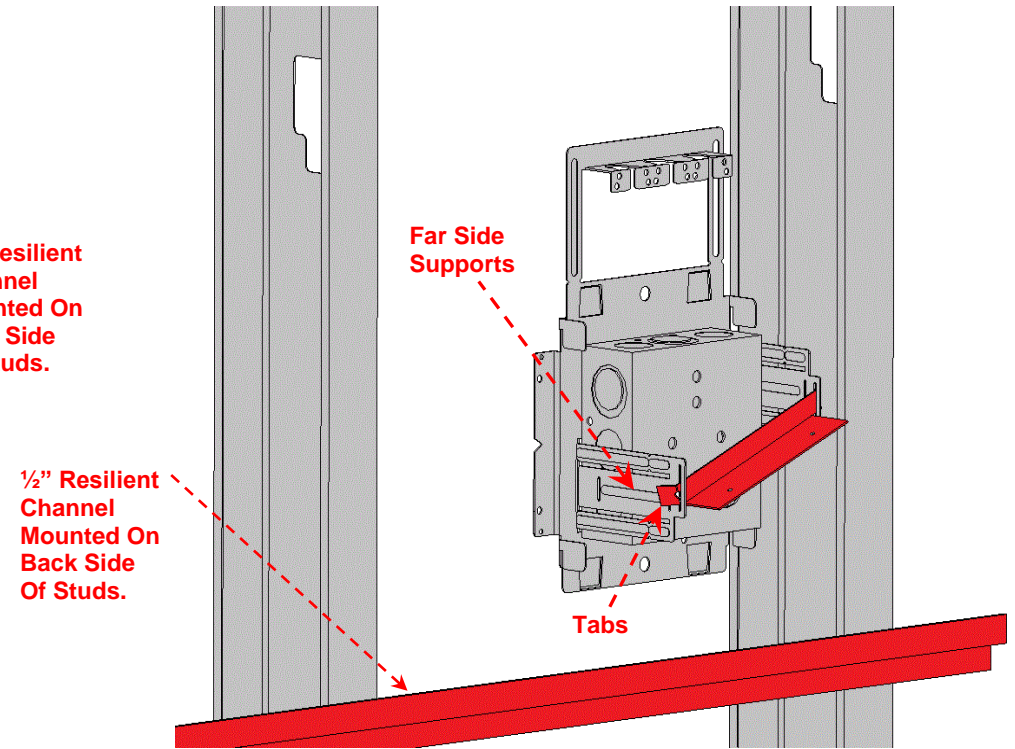
Using Universal Mounting Bracket With 1/2" Resilient Channel Wall Adapter.

When 1/2" Resilient Channel is mounted on face side of studs place **Resilient Channel Wall Adapter** on face of **Universal Mounting Bracket** and attach with #6 sheet metal screws.

When 1/2" Resilient Channel is mounted on back side of studs place **Resilient Channel Wall Adapter** in slots of **Far Side Support** in **Universal Mounting Bracket** and bend **Tabs** over to lock in place.



Kickstand Mounted



Stud Mounted